



**COMMERCIAL VEHICLE AUCTIONS LTD**  
THE UK'S MOST ESTABLISHED COMMERCIAL VEHICLE AUCTIONEERS

Carr Hill Industrial Estate  
Doncaster  
DN4 8DE

01302 732600 | cva.noreply@cva-auctions.co.uk

# VEHICLE INSPECTION REPORT

**YM69YBN**

## Ford Transit Connect 220 1.5 EcoBlue 100ps Van

**Non Runner**

Inspection		Vehicle	
Serious Damage?	No	VAT	Plus VAT
		V5	To Follow

### Details

Reg. date	29/01/2020	Colour	WHITE	CAP Average	£4,125.00
Year	2020	VIN	WF0RXXWPGRKP48383	CAP Below	£3,300.00
Mileage	96,584 Miles Warranted	Body Style	Panel Van L1	Gearbox	MANUAL
Fuel Type	Diesel	MOT Due	28/01/2027	Gears	6
GVW	2375kg	CAP Clean	£4,700.00	Axle Combi	4x2

\*NON RUNNER - ENGINE MALFUNCTION \* AD BLUE, SIDE LOAD DOOR

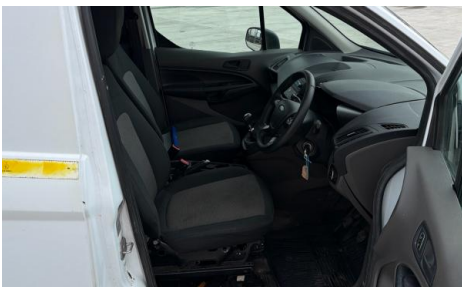
### Tyres

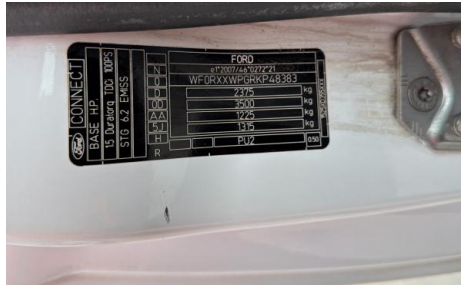
NSF	
NSR	
OSF	
OSR	
Spare	

### Features

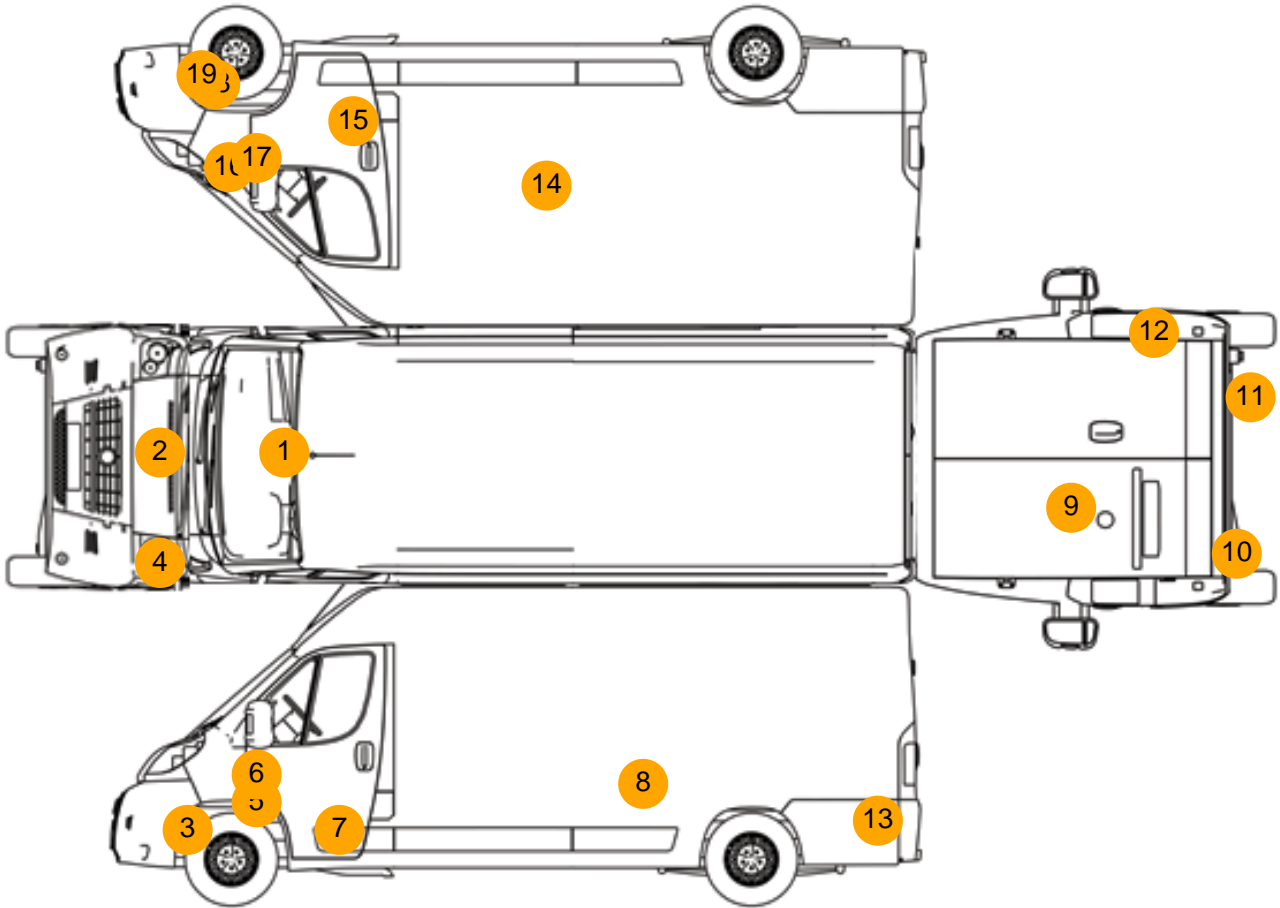
- Bluetooth connection
- Radio/CD
- Front electric windows
- Drivers airbag
- Passenger airbag
- Central locking
- Cloth seat trim

### Photos





## Condition Check



## Damage Photos



1: Screen Front  
Chipped  
Over 10mm



2: Bonnet  
Chipped  
Multiple Chips



3: Bumper Front  
Scratched  
Over 100mm Thru Paint

4: Wing nsf  
Chipped  
Multiple Chips



5: Wing nsf  
Scratched  
Over 25mm Thru Paint

6: Wing nsf  
Poor Previous Repair  
Poor Colour



7: Door nsf  
Scratched  
Over 25mm Thru Paint

8: Qtr Panel nsr  
Scratched  
Over 25mm Thru Paint



9: Door nsr  
Scratched  
Over 25mm Thru Paint

10: Bumper Rear  
Scratched  
Over 100mm Thru Paint



11: Bumper Rear  
Scratched  
Over 100mm Thru Paint

12: Lamp osr  
Broken  
Replace



13: Bumper Rear  
Insecure  
Action Required

14: Qtr Panel osr  
Chipped  
Multiple Chips



15: Door osf  
Dented  
With Paint Damage



16: A Post os  
Chipped  
1 To 5



17: Wing osf  
Chipped  
Multiple Chips



18: Bumper Front  
Insecure  
Action Required



19: Bumper Front  
Scratched  
Over 100mm Thru Paint

## Interior

**Carpet Condition**  
**Seat Condition**

Average  
OK

**Upholstery Condition**  
**Odour**

Average  
-

Engine Runs

Fault